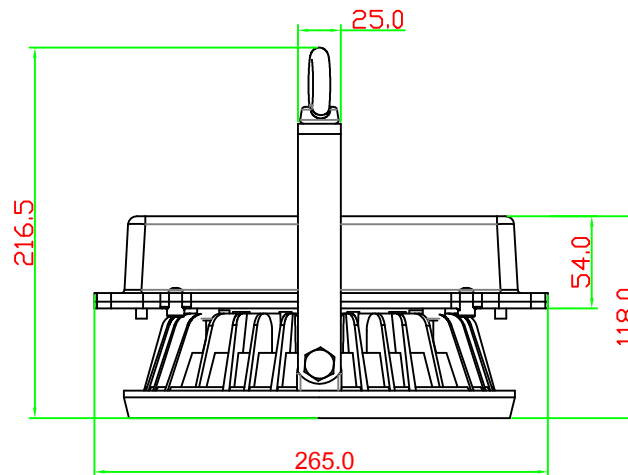
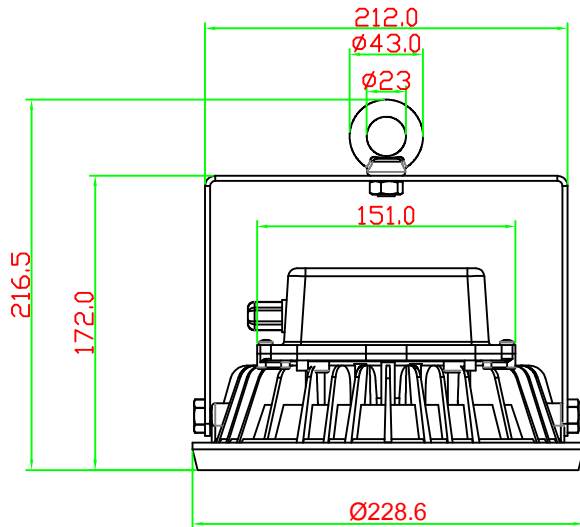




ISOMETRIC VIEW



GA DRAWING

NOTES :---

- 1) ALL DIMENSIONS ARE IN mm.
- 2) ALL CORNER'S ARE FILLETED
- 3) MATERIAL : Aluminium Die casting (LM-6)
- 4) HARDNESS :
- 5) NET WEIGHT : 3 Kg

| UNSPECIFIED TOLERANCE IS: 2102 | | | | | DATE | 10/11/2020 |  Energy Solutions Pvt. Ltd. I-141, MIDC Ahmednagar. |
|--------------------------------|-------------------------|--------|--------|---|--------|--|---|
| RANGE | FINE | MEDIUM | COORSE | DRN. | GANESH | | |
| 0.5 TO 6 | ±0.05 | ±0.1 | ±0.2 | CHD. | | | |
| 6 TO 30 | ±0.1 | ±0.2 | ±0.5 | APRD. | | | |
| 30 TO 120 | ±0.15 | ±0.3 | ±0.8 | SCALE | | PART DESCRIPTION : Eetamax Avira Bay - Light | |
| 120 TO 325 | ±0.2 | ±0.5 | ±1.2 | 1 : 1 | | | |
| 325 TO 1000 | ±0.3 | ±0.8 | ±2 |  | | | |
| 1000 TO 2000 | ±0.5 | ±1.2 | ±3 | | | MODEL : Eetamax Avira Bay Light 80W - 100W | DRG. NO. : |
| MOD. NO. | DETAILS OF MODIFICATION | | | DATE | CHD. | APPRD. | |